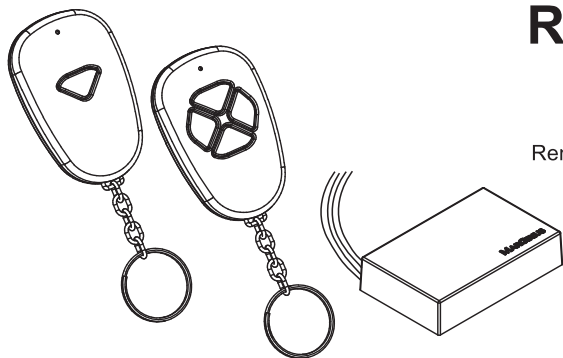


# REMOTE CONTROLS



Remote controls for MarGirius automation systems (TRX and PTRX).



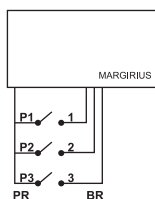
SPECIFICATIONS	
Power supply	3V Battery (CR2032)
Encoding type	Code Learning
Operation frequency	433,92 MHz

MODEL	KEYS	TECNOLOGY	COMPATIBLE SYSTEMS	DRAWING	COLOR
PTX-120 Premium	1	FSK	PTRX-111 PTRX-141 PTRX-151		White
PTX-420 Premium	4	FSK	PTRX-211 PTRX-431		White
PTX-421 Premium	4	FSK (3 KEYS) + OOK (1 KEY) <sup>1</sup>	PTRX-331		Grey
PTX-340 <sup>2</sup> Premium	-	FSK	PTRX-111 PTRX-431 PTRX-211 PTRX-141 PTRX-331 PTRX-151		-
TX-120 Standard	1	OOK <sup>1</sup>	TRX-111		Black
TX-420 Standard	4	OOK <sup>1</sup>	TRX-311		Black

1- The OOK key allows the activation of several commercial devices, such as electronic gates, alarm systems, among others, since they are compatible. Consult the manufacturer for more information.

2- Actuator module with 3 inputs for use with momentary external switches. It allows the activation of MarGirius receptors without the wiring the module to the receiver, making installation easier.

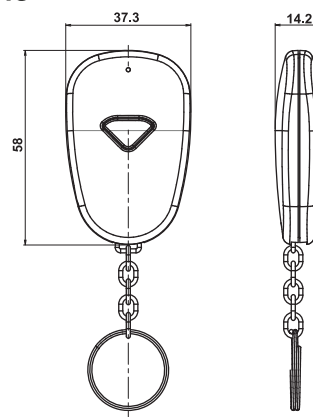
## Wiring diagram (actuator module)



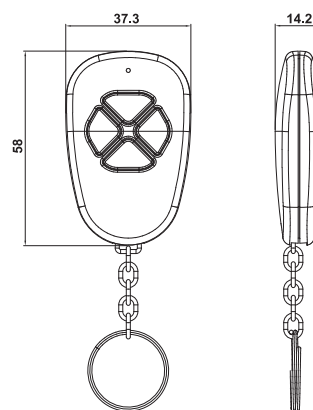
Black wire (PR): Common  
White wires (BR): Individual connections to the switches  
P1, P2 e P3: momentary switches (bell type)

## DIMENSIONS

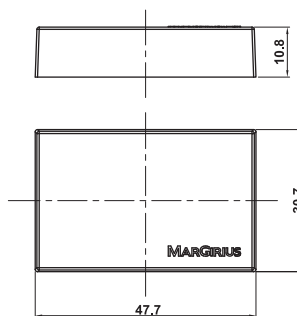
PTX-120  
TX-120



TX-420  
PTX-420  
PTX-421



PTX-340



## SELECT GUIDE

REMOTE CONTROL

TX - □□□

Model  
120  
420

REMOTE CONTROL

PTX - □□□

Model  
120  
420  
421  
340\*

\* The actuator module is not supplied with the momentary switches.