

SWITCH SET FOR APPLIANCES

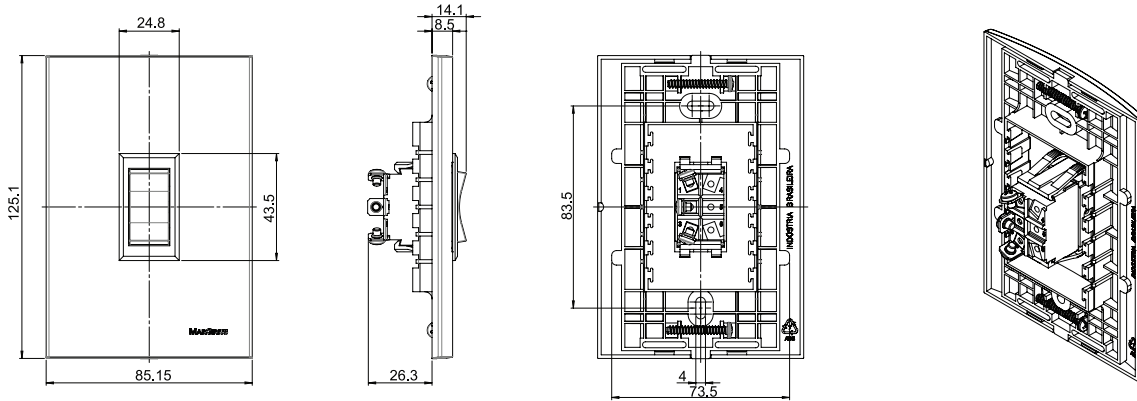
- Main application: electric window blinds
- For mounting in 4x2" size boxes
- Composed of plate, bracket and switch
- single-pole on/off/on
- Satin finish



REFERENCES

Reference			
14103	ON	OFF	ON

DIMENSIONS (mm)

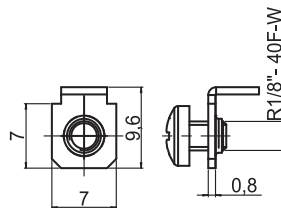


ELECTRICAL CAPACITY

15A with resistive load 120V~
10A with resistive load 250V~

TERMINALS

P1 - Screw



COLORS

White
Ebony (black)

SELECTION GUIDE

Set Clean

Reference 14103 Color White Ebony

Note: Fixing screws are included with the product.