

MG-2600 SERIES

SNAP ACTION MICROSWITCHES

SPECIFICATIONS:

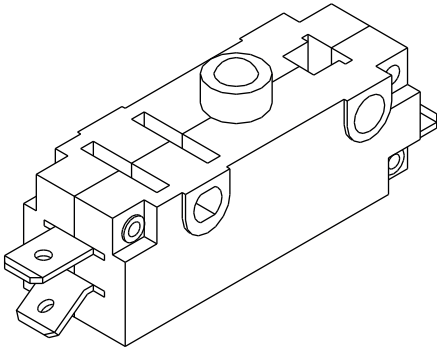
ELECTRICAL CHARACTERISTICS : 20A with resistive load
120VAC or 15A with resistive load 250VAC.

CONTACT RESISTANCE: maximum of 10 miliohms with 1A DC.

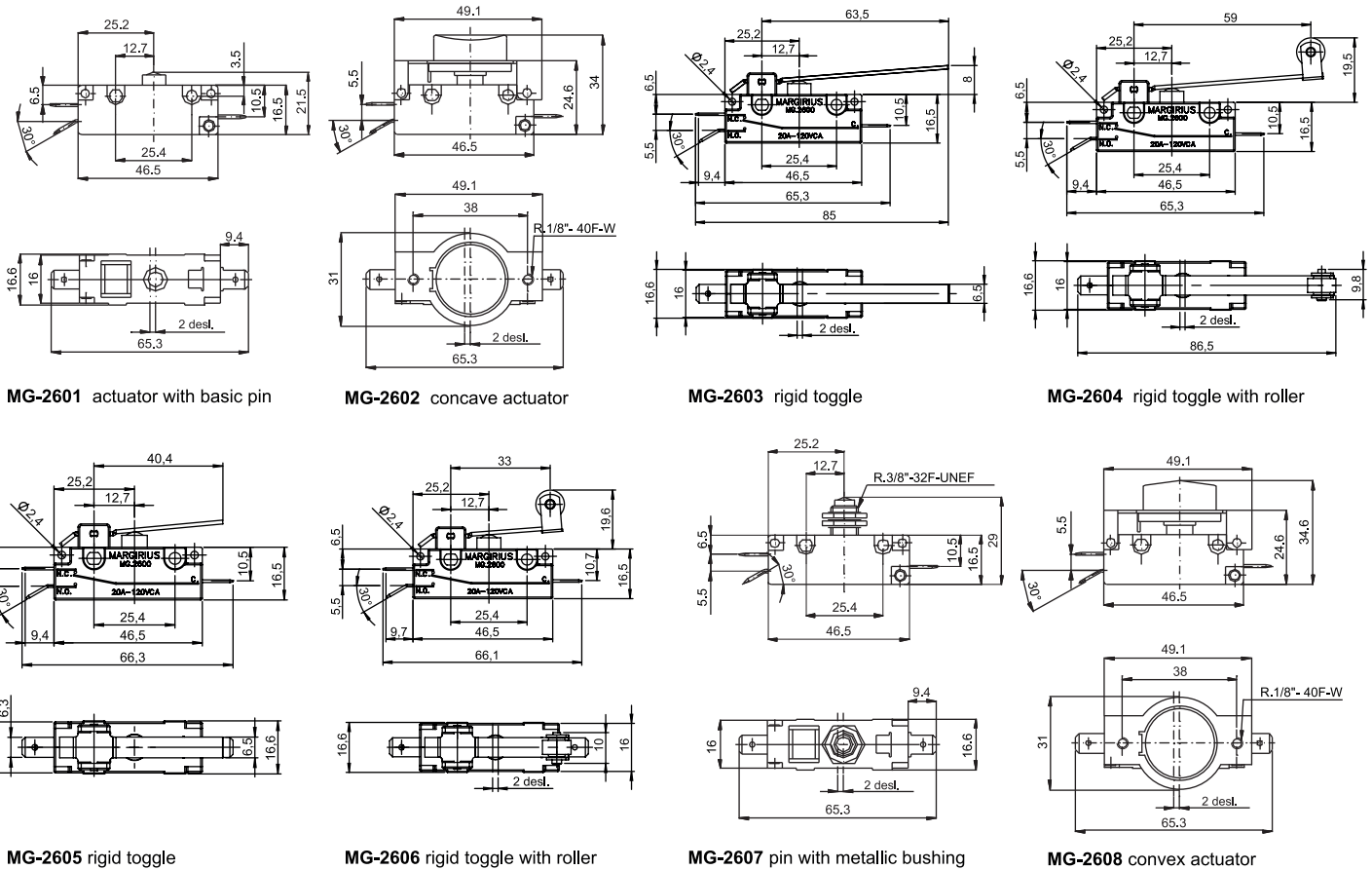
INSULATION RESISTANCE: minimum of 1,000 megaohms.

DIELECTRIC WITHSTAND: 1.000V(RMS) for 1 minute (minimum).

OPERATION TEMPERATURE: from 0°C to 55°C.



REFERENCES

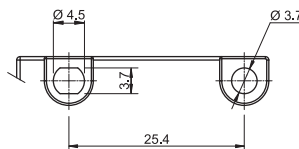


ACTUATION

- NA - contacts normally opened
- NF - contacts normally closed
- IR - change-over

Momentaneous acting (without retraction)

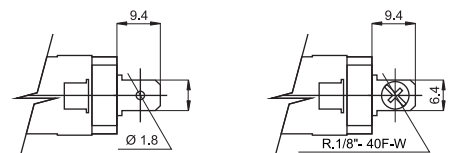
FIXTURE



TERMINALS

E3 - faston 6,3 x 0,8

P1 - screw



ACTUATORS COLORS (MG-2602 and MG-2608)

- A - blue
- B - white
- C - yellow
- D - green
- E - red
- F - black - (standard)
- G - gray
- H - brown

SELECTION GUIDE

□□□□□□	□□	□□	□
Reference	circuit	terminal	color for MG-2602 and MG-2608
	NA	E3	
	NF	P1	
	IR		

Note: Choose the requested color for references **MG-2602** and **MG-2608** and add the color code.

