

LED DRIVERS - CONSTANT VOLTAGE LDT-12 SERIES

For 12V led lamps and strip lights
 High efficiency
 Long life: 50.000h with Tc = 25°C
 Short circuit, overload and open circuit protections
 Manufactured with high quality electronic components



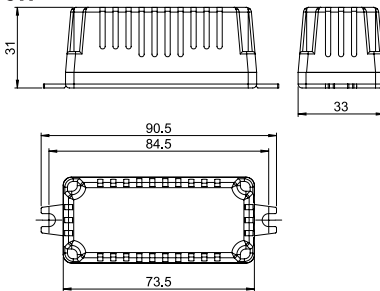
LDT-12 SERIES

- Supply voltage: 100-240V~ 50/60Hz
- Output constant voltage: 12V---
- Maximum environment temperature (T_A): 5 to 50°C
- Maximum enclosure temperature (T_c): 85°C

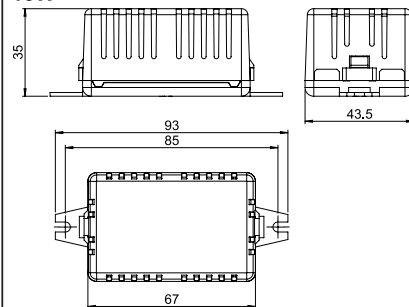
Product	Maximum output power (W)	Output voltage (V---	Power factor	Maximum output current (mA)	Maximum input current (A)	Efficiency 127V (%)	Efficiency 220V (%)	THD (%)	Degree of protection
LDT-12	5	12	0,5	420	0,10 0,07	82	83	168	IP20
LDT-12	15	12	0,5	1250	0,23 0,14	85	87	151	IP20
LDT-12	30	12	0,5	2500	0,50 0,34	85	86	187	IP20

DIMENSIONS

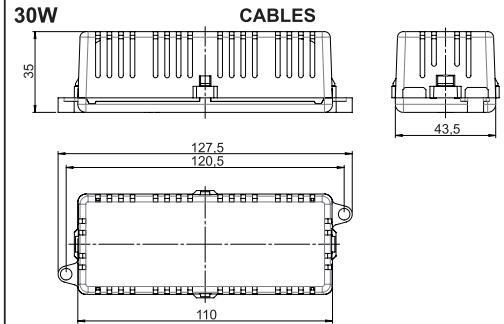
MODEL 5W



MODEL 15W

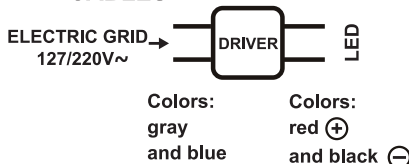


MODEL 30W

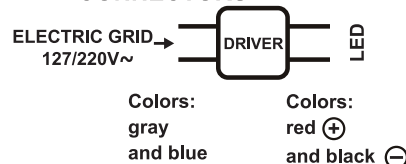


WIRING

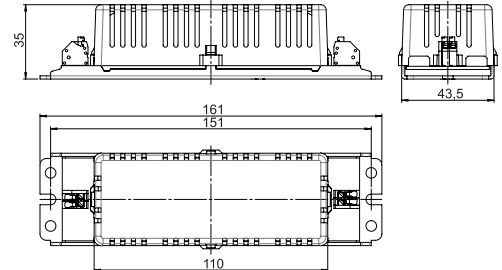
CABLES



CONNECTORS



CONNECTORS



POWER FACTOR

BF – Low factor (0,5)

VOLTAGE

6 – Autovolt (100 to 240V~)

OUTPUT POWER

P1 – 5W P3 – 30W
P2 – 15W

CIRCUIT

I1 – Isolated (galvanic isolation)

DIMERIZATION

D0 – Non-dimmable

OUTPUT

C1- Cables
C2- Connectors

DEGREE OF PROTECTION

G1 – IP20

SELECTION GUIDE

LDT -	□□	□□	□	□□	□□	□□	□□	□□
	output voltage	power factor	input voltage	maximum output power	circuit	dimerization	output	degree of protection
	12V---	BF	6 - autovolt	P1 - 5W P2 - 15W P3 - 30W	I1 - isolated	D0 - non-dimmable	C1 - cables C2 - connectors*	G1 - IP20

*Option available on 30W model only.