

EASY REMOTE CONTROL SET PTRX-141

Easy and practical residential/commercial automation system that allows the activation of floor and desk lamps, fans and other electro-electronic equipment by remote control.



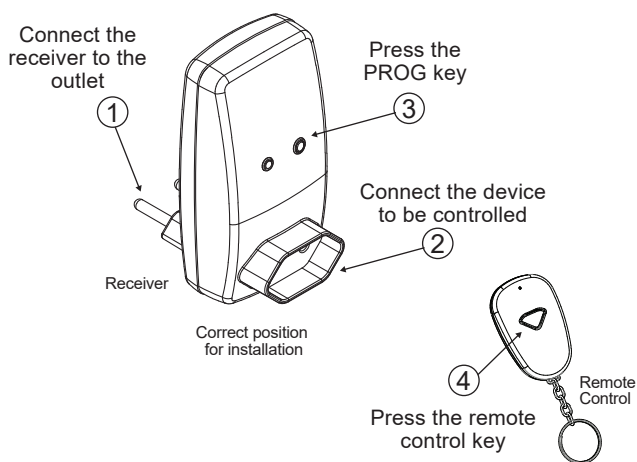
SPECIFICATIONS	
Supply Voltage	Automatic bivolt (100 a 240V~)
Maximum power per channel	500W (resistive load)*
Operation frequency	433,92 MHz
Encoding type	Code Learning
Reach	20 meters without obstacles
Maximum ambient temperature	50°C

*For lamps, use the table below:

Type of lamp ¹	Voltage	
	127V~	220V~
Incandescent / Halogen	500W	700W
Fluorescent / Compact	125W	250W
LED ²	125W	125W

1- To drive metal halide, sodium, mercury or mixed light lamps, use auxiliary devices such as contactors.
2- Do not install more than 7 lamps or light fixtures in the same sensor.

INSTALLATION AND PROGRAMMING



Caution

The equipment connected to the receiver must have the compatible with the local power supply voltage.

SELECT GUIDE

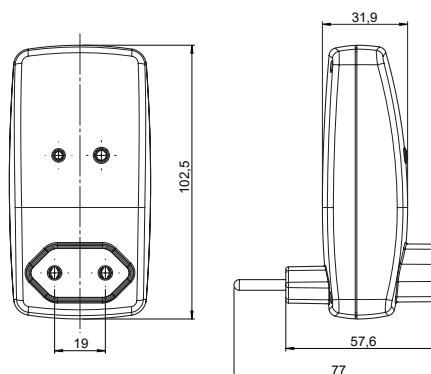
REMOTE CONTROL SET (*) □□□□ - □□□□ □□+□

Model

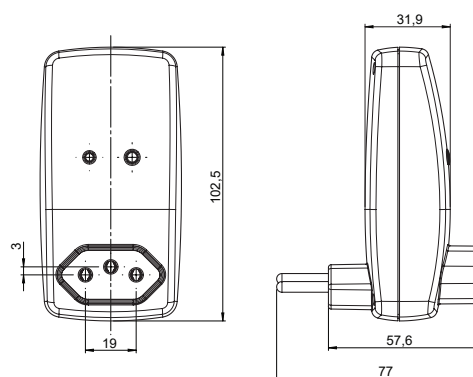
PTRX-141 2P
PTRX-141 2P+T

DIMENSIONS

PTRX-141 2P



PTRX-141 2P+T



GENERAL FEATURES

- Models for 2P or 2P+T equipments
- Operation modes of receptor: with retention (bistable) or without retention (monostable)
- Programming up to 40 controls per receiver
- Internal power supply
- Additional remote controls sold separately
- Automatic bivolt - makes installation easier

* The PTRX-141 Remote Control Set comes with a remote control of 1 key.