

30.000 SERIES

ROCKER SWITCHES

SPECIFICATIONS:

ELECTRICAL CHARACTERISTICS : 15A with resistive load 120VAC or 10A with resistive load 250VAC. (Q contact)

CONTACT RESISTANCE: maximum of 20 miliohms with 1A DC.

INSULATION RESISTANCE: minimum of 1.000 megaohms.

DIELECTRIC WITHSTAND: 1.000V(RMS) for 1 minute (minimum).

OPERATION TEMPERATURE: from 0°C to 55°C.

**switches
for appliances**

Certified Product*



* Call us

REFERENCES

Single-Pole

Reference		
30101	ON	ON
30108	ON	(ON)
* 30123	ON	OFF
30127	(ON)	OFF

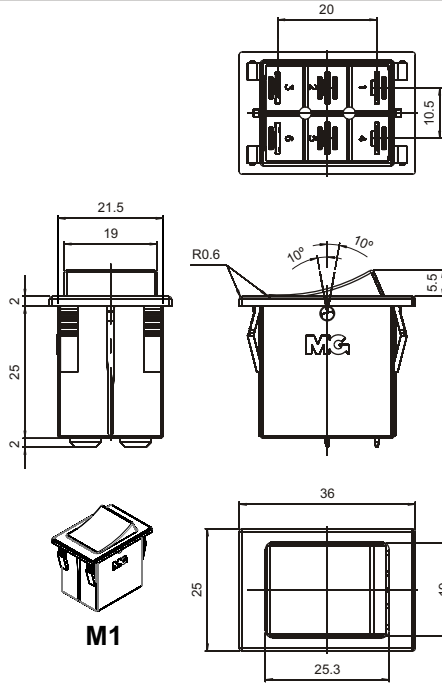
Double-Pole

Reference		
30201	ON	ON
30208	ON	(ON)
* 30223	ON	OFF
30227	(ON)	OFF

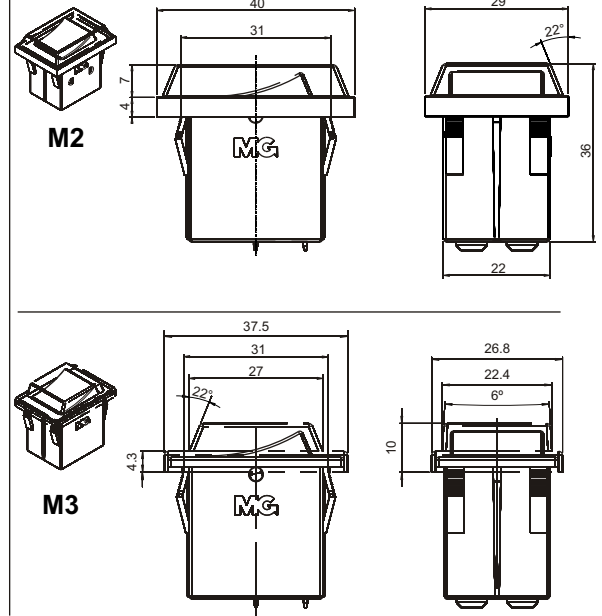
() Momentary

* Possible options with lamp 120/250 VAC.

Note: For other tensions call us.

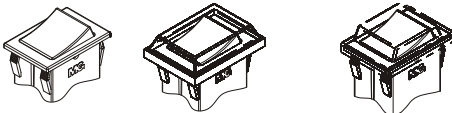


WITH COVER



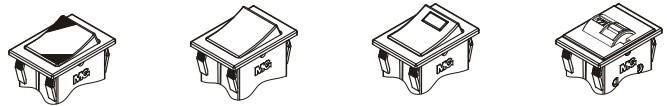
FRAMES

M1# - Standard M2# - With cover M3# - With cover



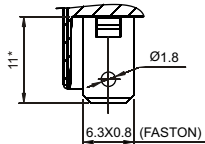
ACTUATORS

T1# - rocker illuminated T2# - rocker T3## - rocker with len T4# - rocker tension selector



TERMINAL

E3 - faston 6,3 x 0,8



* For model 30.123 with rockers T1 and T3, the length of terminal will be 8mm.

CONTACTS

S - Standard
4A with resistive load 120VAC
2A with resistive load 250VAC

B - Silver
10A with resistive load 120VAC
6A with resistive load 250VAC

Q - Silver
15A with resistive load 120VAC
10A with resistive load 250VAC

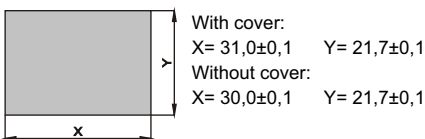
G - Silver
20A with resistive load 120VAC
15A with resistive load 250VAC

- COLORS

A - blue
B - white
C - yellow
D - green
E - red
F - black - (standard)
G - gray
H - brown

Note: Substitute # by the code of requested color.

CUT FOR FIT



SELECTION GUIDE

□□□□□	□□□	□□□□	□□	□
Reference	frame	actuator	terminal	contact
	M1#	T1#	E3	S
	M2#	T2#		B
	M3#	T3##		Q
		T4#		G

Note: The T3 rocker has light finder. It is necessary to codify the both colors, one for rocker and one for finder.
Ex.: T3FE - Black rocker with red light finder.

