

Certified Product*



OCP 0018

IEC 60127-6: Miniature Fuses
* Call us

11.000 SERIES

PANEL FUSE HOLDERS

11205 REFERENCE

SPECIFICATIONS

FUSE TYPE: 5 X 20mm.

ELECTRICAL CHARACTERISTICS: 10A - 110 VAC / 250 VAC.

CONTACT RESISTANCE: maximum of 10 miliohms with 1A DC.

INSULATION RESISTANCE: greater than 1.000 megaohms.

DIELECTRIC WITHSTAND: 1.500 V(RMS) for 1 minute (minimum).

POWER RATING: 2,5 W.

OPERATION TEMPERATURE: from 0°C to 55°C.

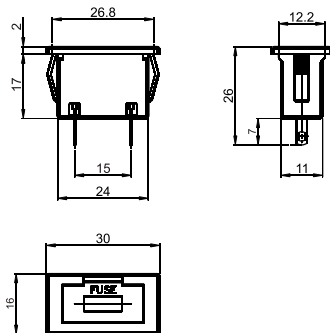
COVER WITH COMPARTMENT FOR FUSE RESERVE



REFERENCE

M# - FRAME

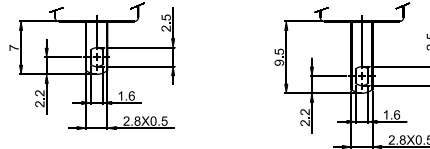
T# - COVER



TERMINALS

S1- (Standard)

W1 - 2,8 x 0,5

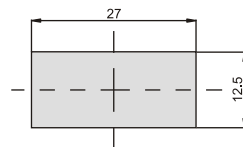


- COLORS

Note: Substitute # by the code of requested color.

- A - blue
- B - white
- C - yellow
- D - green
- E - red
- F - black - (standard)
- G - gray
- H - brown

CUT FOR FIT



SELECTION GUIDE

11205

Reference



frame

M#



cover

T#



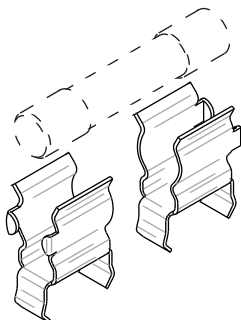
terminal

S1

W1

OBS.: If you do not choose any terminal code the option S1(standard) will be applied.

Ex.: 11205 MFTE - black frame, red cover and terminal S1.



FUSE CLIP

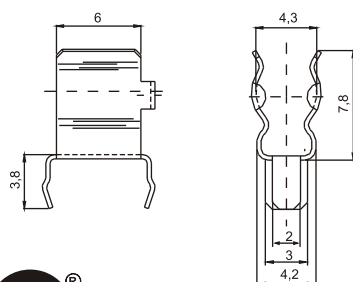
11155 / M REFERENCE

SPECIFICATIONS

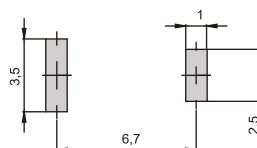
FUSE TYPE: 5 X 20mm.

ELECTRICAL CHARACTERISTICS: 10A - 110 VAC / 250 VAC.

CONTACT RESISTANCE: maximum of 10 miliohms with 1 DC.



CUT FOR FIT



SELECTION GUIDE

11155 / M

Reference

Note: This product is shaped by 2 metallic independent pieces.