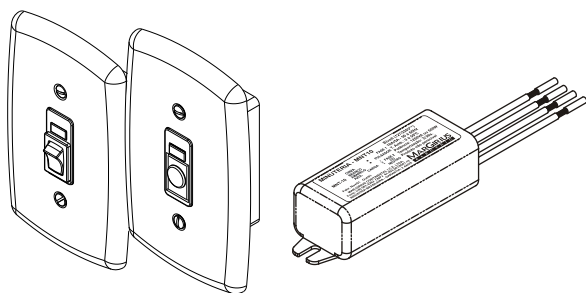


# TIMERS



- This product allows to keep on, for a defined period of time, the lamps of an ambient.
- Ideal for temporized lighting of stairways, halls, passages, garages and other ambients that don't need continuous lighting.
- Warranty of 2 years

## MODELS:

**MNT10 - COLECTIVE TIMER**  
**MNT30 - TOUCH TIMER**  
**PMNT200 - ROCKER TIMER**  
**PMNT300 - TOUCH TIMER**

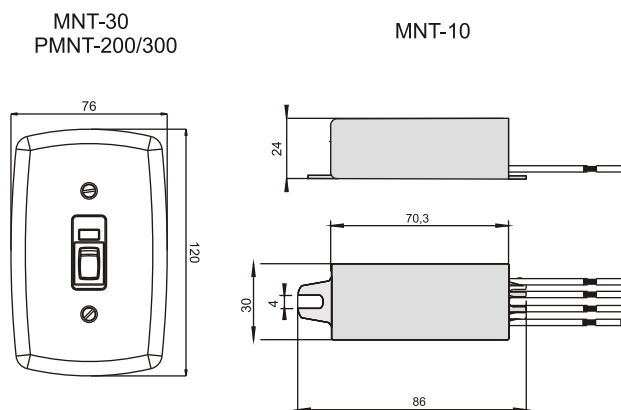
Models	Line	Type	Tension	Nominal Current	Maximum Power	Medium Temporization	Maximum Ambient Temperature
MNT-10	Standard	Collective <sup>2</sup>	Bivolt	10A 127V~ 5A 220V~	500W in 127/220V~	90s	50°C
MNT-30	Standard	Touch	127 or 220V~ <sup>3</sup>	10A 127V~ 5A 220V~	500W in 127/220V~	90s	50°C
PMNT-200 <sup>1</sup>	Premium	Rocker	Bivolt	10A 127V~ 5A 220V~	1000W in 220V~ 600W in 127V~	90s	50°C
PMNT-300 <sup>1</sup>	Premium	Touch	Bivolt	10A 127V~ 5A 220V~	1000W in 220V~ 600W in 127V~	90s	50°C

1- Timers with "zero crossing" technology, that occurs less wastage in the contacts and consequently more capacity and useful life to the product.  
 2- Model for collective installation; allows the action of the lamps from many different points.  
 3- Individual models for 127 and 220V~.

## ADVANTAGES

- Save energy: the lamps will be turned on only when necessary.
- It turns on when desired and turns off automatically.
- They may be used with any type of lamps (incandescent, fluorescent, and so on).
- It has light indicator for night visualization. (Except MNT-10).

## DIMENSIONALS

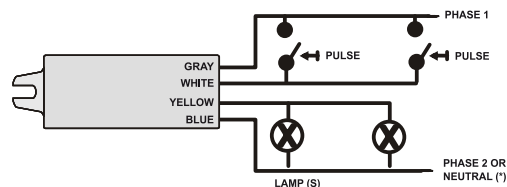


## NOTES FOR INSTALATION

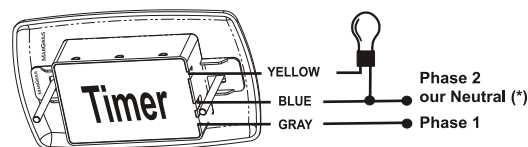
- Connect according to the drawing that has in the product body. If connected incorrectly, the timer will be damaged.
- The gage of the cables must be compatible with the power of used lamps.
- The used lamps need to have the same tension of electric net.
- The inversion of the wires may occur wrong working or damages in the product.

## WIRING CONNECTIONS

A) Model for collective instalation (MNT-10)



B) Individual models (MNT-30 e PMNT-200/300)



(\*) Depending the tension of instalation (127 or 220V~).

**Attention:** Verify if the net tension is compatible with the timer.

## TENSION

- 1 - 127V~
- 2 - 220V~
- 6 - Bivolt

## SELECTION GUIDE

Models	Tension
MNT-10	1
MNT-30	2
PMNT-200	6
PMNT-300	6

Note: The colors of the cables may be changed without previous notice. Observe the package of the product before instalation.