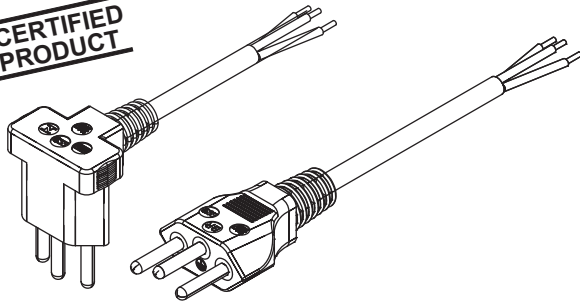


**CERTIFIED
PRODUCT**



POWER SUPPLY CORDS 2P+T

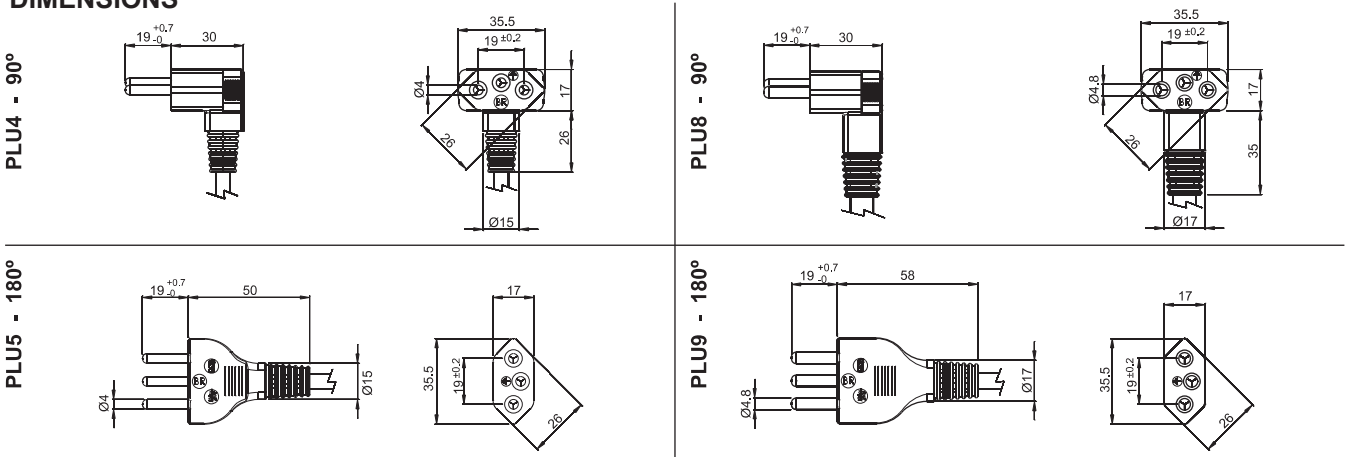


SPECIFICATIONS:

Insulation material: thermoplastic.
3A to 20A according to the reference.
Certified according to the Brazilian Standard NBR 14136.

REFERENCE	Rated Current (A) ¹	Cord outlet	Plug pins (Ø mm)	Cable type	Cable gauge (mm ²)
PLU4-3G	10	90°	4,0 Stamped	Flexible cord PP round - PVC	3 x 0,75
PLU4-3H	10	90°	4,0 Stamped	Flexible cord PP round - PVC	3 x 1
PLU4-3N	10	90°	4,0 Stamped	Flexible cord PP round - PVC	3 x 1,5
PLU4-3R	3	90°	4,0 Stamped	Flexible cord PP round - PVC	3 x 0,5
PLU4-3T ²	10	90°	4,0 Stamped	Flexible cord PP plan - PVC	3 x 0,75
PLU5-3G	10	180°	4,0 Stamped	Flexible cord PP round - PVC	3 x 0,75
PLU5-3H	10	180°	4,0 Stamped	Flexible cord PP round - PVC	3 x 1
PLU5-3N	10	180°	4,0 Stamped	Flexible cord PP round - PVC	3 x 1,5
PLU5-3R	3	180°	4,0 Stamped	Flexible cord PP round - PVC	3 x 0,5
PLU5-3T ²	10	180°	4,0 Stamped	Flexible cord PP plan - PVC	3 x 0,75
PLU8-3N	16	90°	4,8 Stamped	Flexible cord PP round - PVC	3 x 1,5
PLU8-3S	20	90°	4,8 Stamped	Flexible cord PP round - PVC	3 x 2,5
PLU9-3N	16	180°	4,8 Stamped	Flexible cord PP round - PVC	3 x 1,5
PLU9-3S	20	180°	4,8 Stamped	Flexible cord PP round - PVC	3 x 2,5

DIMENSIONS



CABLE LENGTH

CODE	DIMENSIONS
005	0,5 m
010	1 m
015	1,5 m
020	2 m

Note: other lengths on request

COLOR

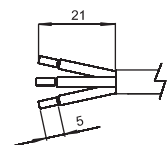
B - White
F - Black (standard)
G - Gray

Note: White and gray colors on request.

TERMINAL

T1 - Uncovered

Note: For other terminals, please call us.



SELECTION GUIDE

□□□□-□□ □□□ □ **T1**
Reference Cable length Color terminal

Note: ¹ Specific current for voltages up to 250VAC.
² Flexible cord PP plan only on request.

