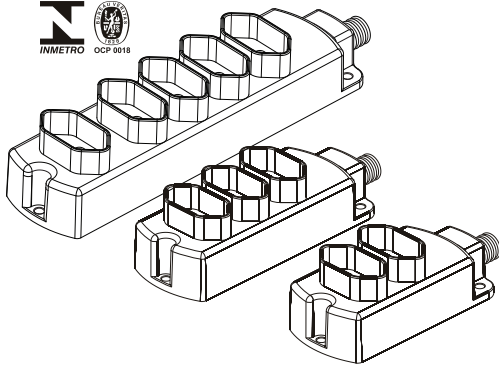


Segurança



MULTIPLE OUTLETS

SPECIFICATIONS:

Electrical characteristics: 10A or 20A in 127/220V~.

Maximum power:

- 10A: 1200W in 127V ~ and 2500W in 220V~.

- 20A: 2500W in 127V ~ and 5000W in 220V~.

Certified according to Brazilian Standard (NBR 14136).

Models with 2, 3 or 5 outlets.

electrical
accessories



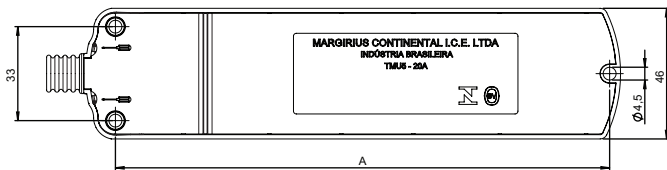
10A Models:

REFERENCE	N° of outlets	N° of conductors
TMU2-210	2	2 (2P)
TMU2-310	2	3 (2P+T)
TMU3-210	3	2 (2P)
TMU3-310	3	3 (2P+T)
TMU5-210	5	2 (2P)
TMU5-310	5	3 (2P+T)

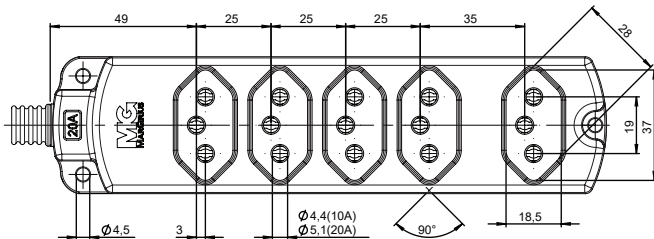
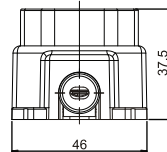
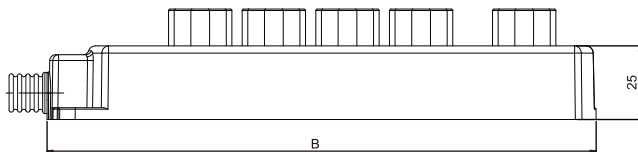
20A Models:

REFERENCE	N° of outlets	N° of conductors
TMU2-220	2	2 (2P)
TMU2-320	2	3 (2P+T)
TMU3-220	3	2 (2P)
TMU3-320	3	3 (2P+T)
TMU5-220	5	2 (2P)
TMU5-320	5	3 (2P+T)

DIMENSIONS



Models	Dimensions (mm)	
	A	B
2 Outlets	87	101
3 Outlets	112	126
5 Outlets	172	187



COLORS

Black	Yellow*
Gray	Neon yellow *
Light gray	Blue*
	Crystal*
	Fume*
	Neon pink*
	Green*

* Colors only on request

CABLE TYPE

PVC round 0,75mm²

CABLE LENGTH

Code	Dimensions
1M	1m
1M5	1,5m
3M	3m

SELECTION GUIDE

TMU	□	-	□	□□	□	□	□	□								
n° of outlets	2	3	5	n° of conductors	2	3	current	10	20	color	Without cable	Round 0,75mm ²	cable length	1M	1M5	3M

Note: Consult us for other types and lengths of cables.
20A models only without cable.