

MG-2600 SERIES

SNAP ACTION MICROSWITCHES

SPECIFICATIONS:

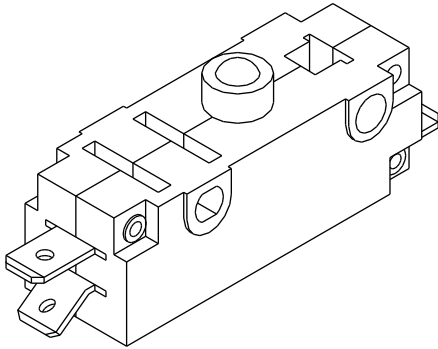
ELECTRICAL CHARACTERISTICS : 20A with resistive load 120VAC or 15A with resistive load 250VAC.

CONTACT RESISTANCE: maximum of 10 miliohms with 1A DC.

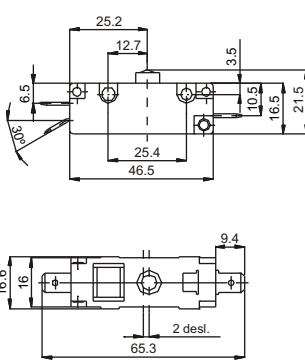
INSULATION RESISTANCE: minimum of 1.000 megaohms.

DIELECTRIC WITHSTAND: 1.000V(RMS) for 1 minute (minimum).

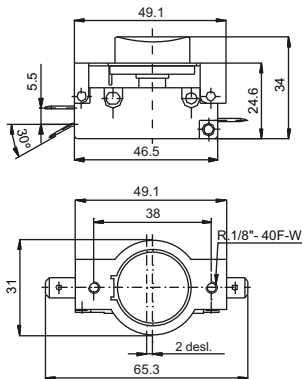
OPERATION TEMPERATURE: from 0°C to 55°C.



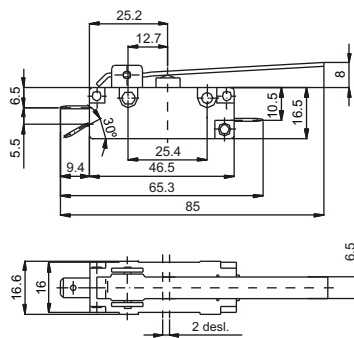
REFERENCES



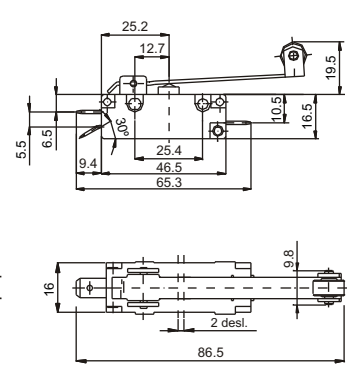
MG-2601 actuator with basic pin



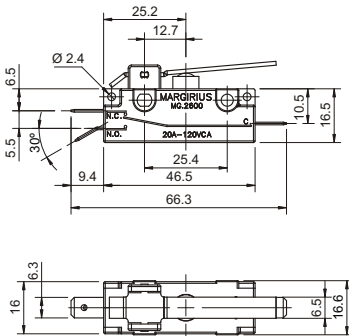
MG-2602 concave actuator



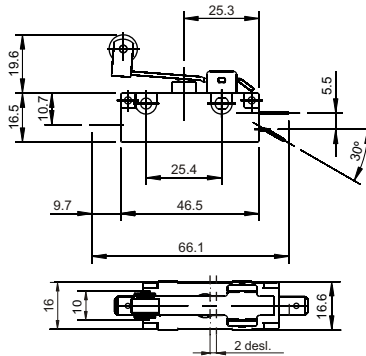
MG-2603 rigid toggle



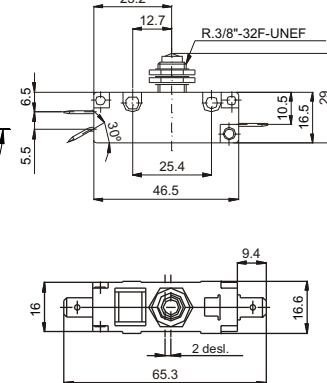
MG-2604 rigid toggle with roller



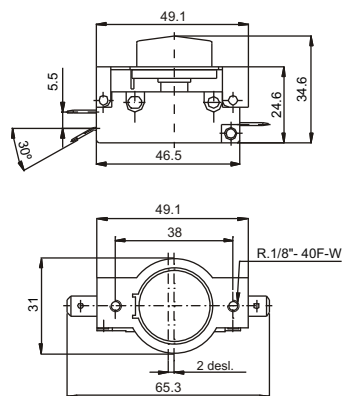
MG-2605 rigid toggle



MG-2606 rigid toggle with roller



MG-2607 pin with metallic bushing



MG-2608 convex actuator

ACTUATION

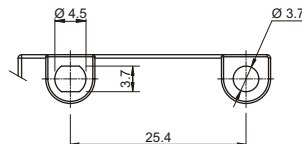
NA - contacts normally opened

NF - contacts normally closed

IR - change-over

Momentaneous acting (without retraction)

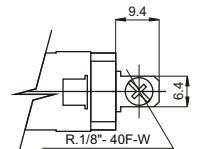
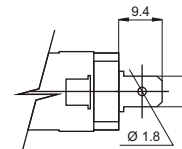
FIXTURE



TERMINALS

E3 - faston 6,3 x 0,8

P1 - screw



ACTUATORS COLORS (MG-2602 and MG-2608)

A - blue

E - red

B - white

F - black - (standard)

C - yellow

G - gray

D - green

H - brown

SELECTION GUIDE



Reference



circuit



terminal



color for MG-2602 and MG-2608

NA
NF
IR

E3
P1

Note: Choose the requested color for references **MG-2602** and **MG-2608** and add the color code.

