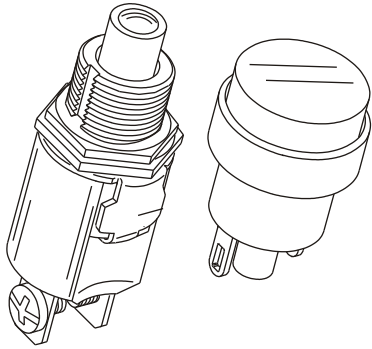


CS-390 SERIES

PUSHBUTTON SWITCHES



SPECIFICATIONS:

ELECTRICAL CHARACTERISTICS: 1A with resistive load
120VAC or 0,5A with resistive load 250VAC.

CONTACT RESISTANCE: maximum of 20 miliohms with 1A DC.

INSULATION RESISTANCE: minimum of 1.000 megaohms.

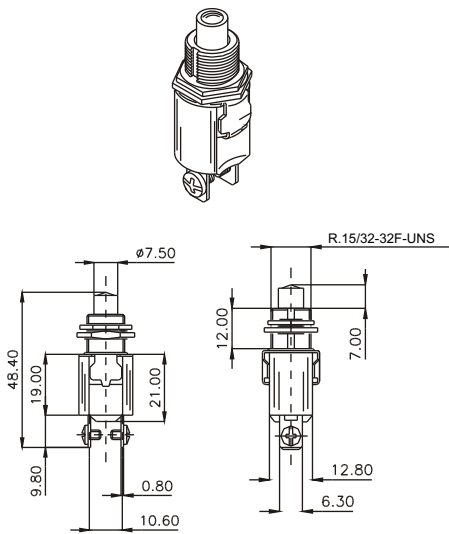
DIELECTRIC WITHSTAND: 1.000V(RMS) for 1 minute(minimum).

OPERATION TEMPERATURE: from 0°C to 55°C.

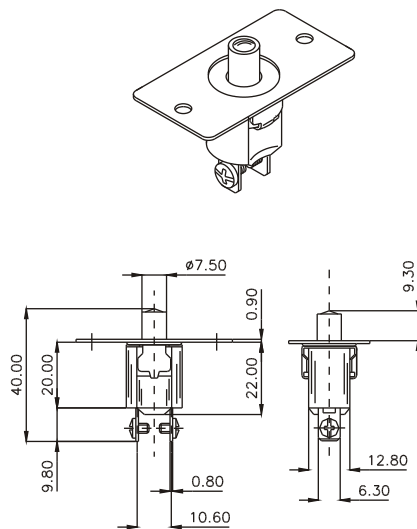


REFERENCES

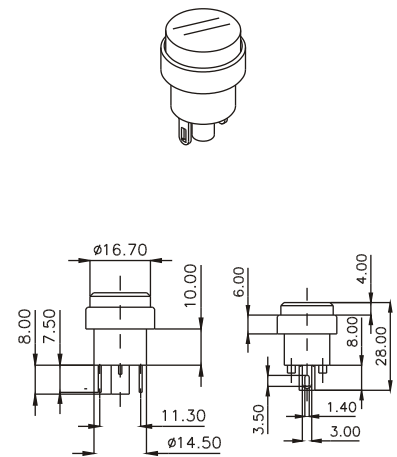
CS-390



CS-391



CS-392

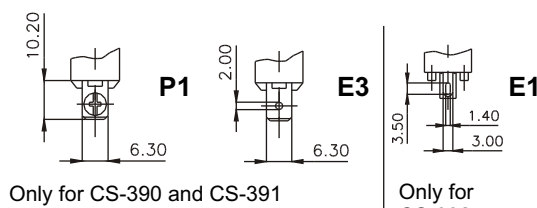


ACTUATORS

NA - normally opened
NF - normally closed

Note: For reference
CS-392 only NA

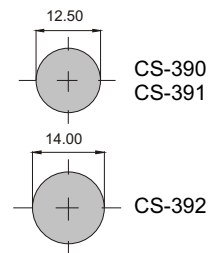
TERMINALS



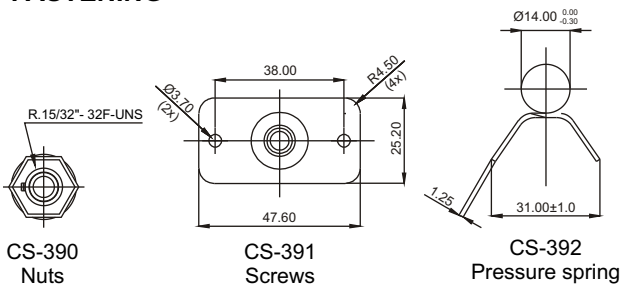
COLORS

A - blue
B - white
C - yellow
D - green
E - red
F - black - (standard)
G - gray
H - brown

CUT FOR FIT



FASTENING



SELECTION GUIDES

CS-390 and CS-391

□□□□□	□□	/	□□
Reference	actuator		terminal
	NA		P1
	NF		E3

CS-392

□□□□□	□□	/	□□	□	□
Reference	actuator		terminal	color frame	color actuator
	NA		E1		