

# CS-102 SERIE

## ROCKER SWITCH

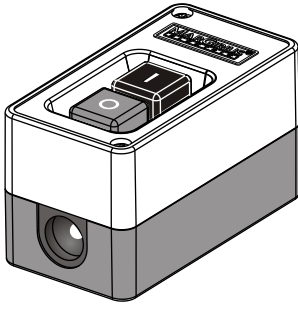
### SPECIFICATIONS:

**ELECTRICAL CHARACTERISTICS:** 30A with resistive load 250VAC (3 phases) or 5CV - 250VAC (P contact).

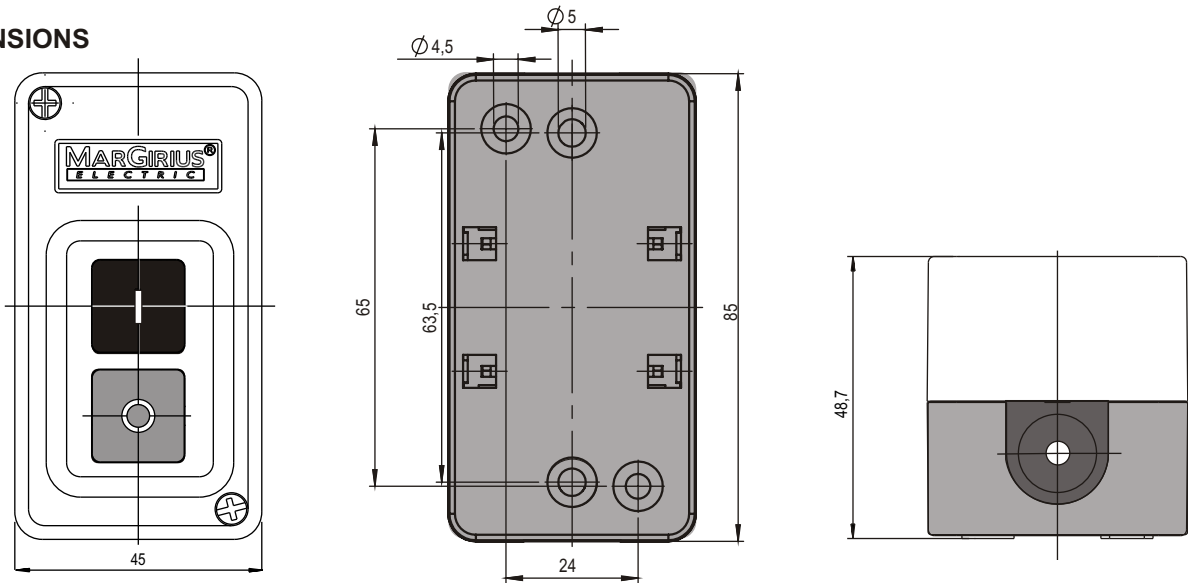
**INSULATION RESISTANCE:** minimum of 1.000 megohms.

**DIELECTRIC WITHSTAND:** 1.000V(RMS) for 1 minute (minimum).

**OPERATION TEMPERATURE:** from 0°C to 55°C.

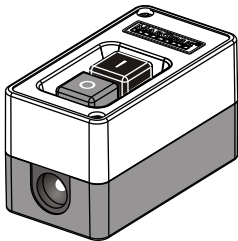


### DIMENSIONS



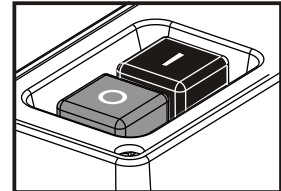
### BOX

C1



### ACTUATOR

A1FE - black and red  
A1FG - black and gray



### POLES

M - single-phase  
T - three-phase

### CONTACTS

	S	P
Nominal Current (A)	20	30
Nominal Power (KW)	3,0	3,7
Capacitance in CV		
Three-phase 250V~	3,0	5,0
Single-phase 250V~	1,5	2,0
Single-phase 120V~	0,75	1,0

### COLOR

F - black  
E - red  
G - gray

\* For other colors call us.

### SELECTION GUIDE

#### CS-102

Reference



box  
C1



actuator  
A1FE  
A1FG



poles  
M  
T



contacts  
S  
P