



12.000 SERIES

MAIN SWITCHES

SPECIFICATIONS:

ELECTRICAL CHARACTERISTICS: 15A with resistive load 120 VAC or 10A with resistive load 250 VAC. (Q contact)

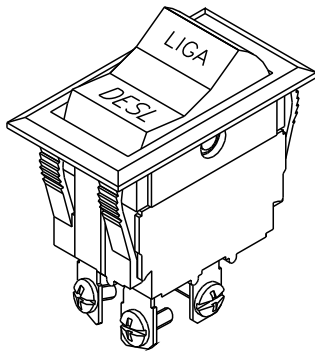
CONTACT RESISTANCE: maximum of 10 miliohms with 1A DC.

INSULATION RESISTANCE: minimum de 1.000 megaohms.

DIELECTRIC WITHSTAND: 1000 V (rms) for 1 minute (minimum).

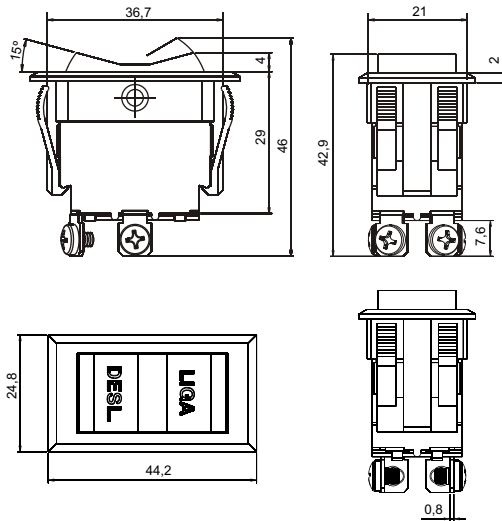
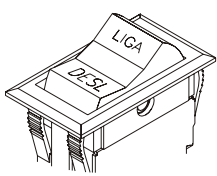
OPERATION TEMPERATURE: from 0°C to 55°C.

ACTUATOR: momentary stopping in the center.



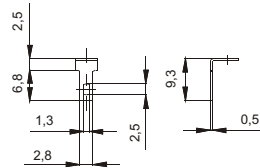
REFERENCE - 12001

M# - FRAME
T2# - ACTUATOR

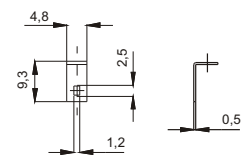


TERMINALS

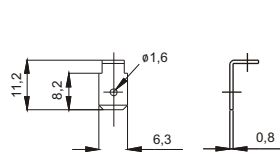
E1 - faston 2,8 x 0,5 (standard)



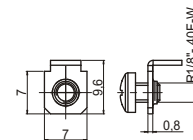
E2 - faston 4,8 x 0,5



E3 - faston 6,3 x 0,8



P1 - screw



CONTACTS

S - STANDARD

6A with resistive load 120VAC
3A with resistive load 250VAC

Q

15A with resistive load 120VAC
10A with resistive load 250VAC

G

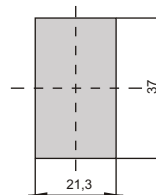
20A with resistive load 120VAC
15A with resistive load 250VAC

- COLORS

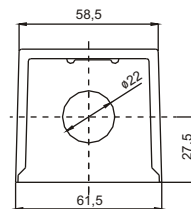
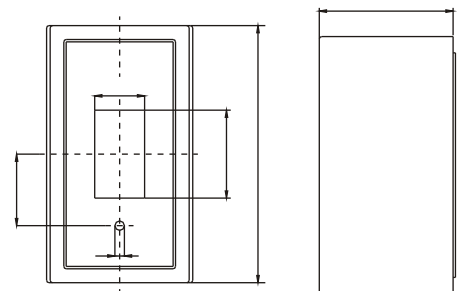
Note: Substitute # by the code of requested color.

- | | |
|------------|------------------------|
| A - blue | E - red |
| B - white | F - black - (standard) |
| C - yellow | G - gray |
| D - green | H - brown |

CUT FOR FIT



BOX (OPTIONAL)



Note: Include CX in the end of the code if you choose iron box and plastic cover.

SELECTION GUIDE

12001	□□	□□□	□□	□ / □□	□□
Reference	frame	actuator	terminal	contact	box
	M#	T2#	E1 E2 E3 P1	S Q G	CX

CONNECTION DIAGRAM

