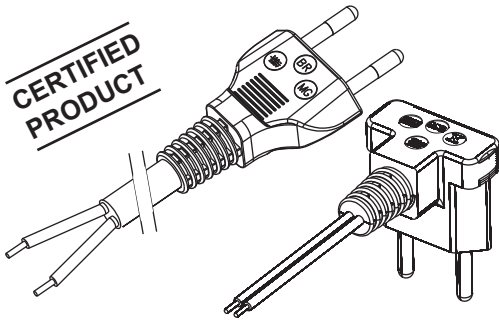


**CERTIFIED
PRODUCT**



POWER SUPPLY CORDS 2P

SPECIFICATIONS:

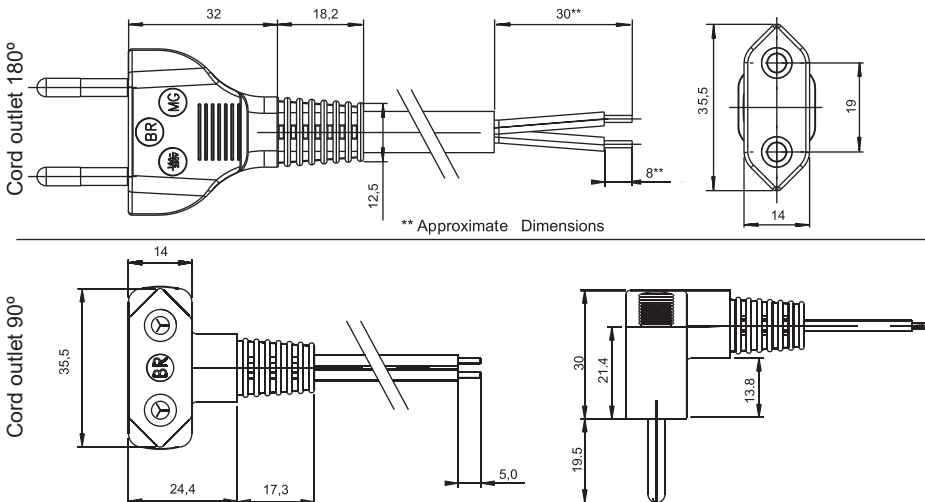
Insulation material: thermoplastic.
3A or 10A according to the reference.
Certified according to the Brazilian Standard NBR 14136.



REFERENCE	Rated current (A)*	Cord outlet	Plug pins (Ø mm)	Cable type	Cable gauge (mm ²)
PLU1-2A	10	180°	4,0 solid	Flexible cord PP round - PVC	2 x 1,5
PLU1-2B	10	180°	4,0 solid	Flexible cord PP round - PVC	2 x 0,75
PLU1-2C	10	180°	4,0 solid	Flexible cord PP round - PVC	2 x 1
PLU4-2A	10	90°	4,0 stamped	Flexible cord PP round - PVC	2 x 1,5
PLU4-2B	10	90°	4,0 stamped	Flexible cord PP round - PVC	2 x 0,75
PLU4-2C	10	90°	4,0 stamped	Flexible cord PP round - PVC	2 x 1
PLU4-2I	3	90°	4,0 stamped	Flexible cord parallel - PVC	2 x 0,5
PLU4-2J	10	90°	4,0 stamped	Flexible cord parallel - PVC	2 x 0,75
PLU4-2Q	3	90°	4,0 stamped	Flexible cord PP round - PVC	2 x 0,5
PLU5-2B	10	180°	4,0 stamped	Flexible cord PP round - PVC	2 x 0,75
PLU5-2I	3	180°	4,0 stamped	Flexible cord parallel - PVC	2 x 0,5
PLU5-2J	10	180°	4,0 stamped	Flexible cord parallel - PVC	2 x 0,75
PLU5-2L	10	180°	4,0 stamped	Flexible cord PP plan - PVC	2 x 0,75
PLU5-2M	3	180°	4,0 stamped	Flexible cord PP plan - PVC	2 x 0,5

* Specific current for voltages up to 250VAC.

DIMENSIONS



** Approximate Dimensions

CABLE LENGHT

Code	Dimensions
005	0,5 m
010	1 m
015	1,5 m
020	2 m

Note: other lenghts on request

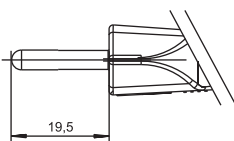
- COLORS

B - white
F - black - (standard)
G - gray

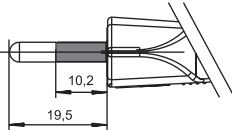
Note: White and gray colors on request

PINS

Stamped

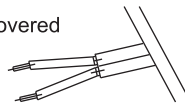


Solid



TERMINAL

T1- Uncovered



Note: For other terminals, please call us.

SELECTION GUIDE



Reference



Cable length



Color terminal

Note: Plugs with solid pins only available in black color.